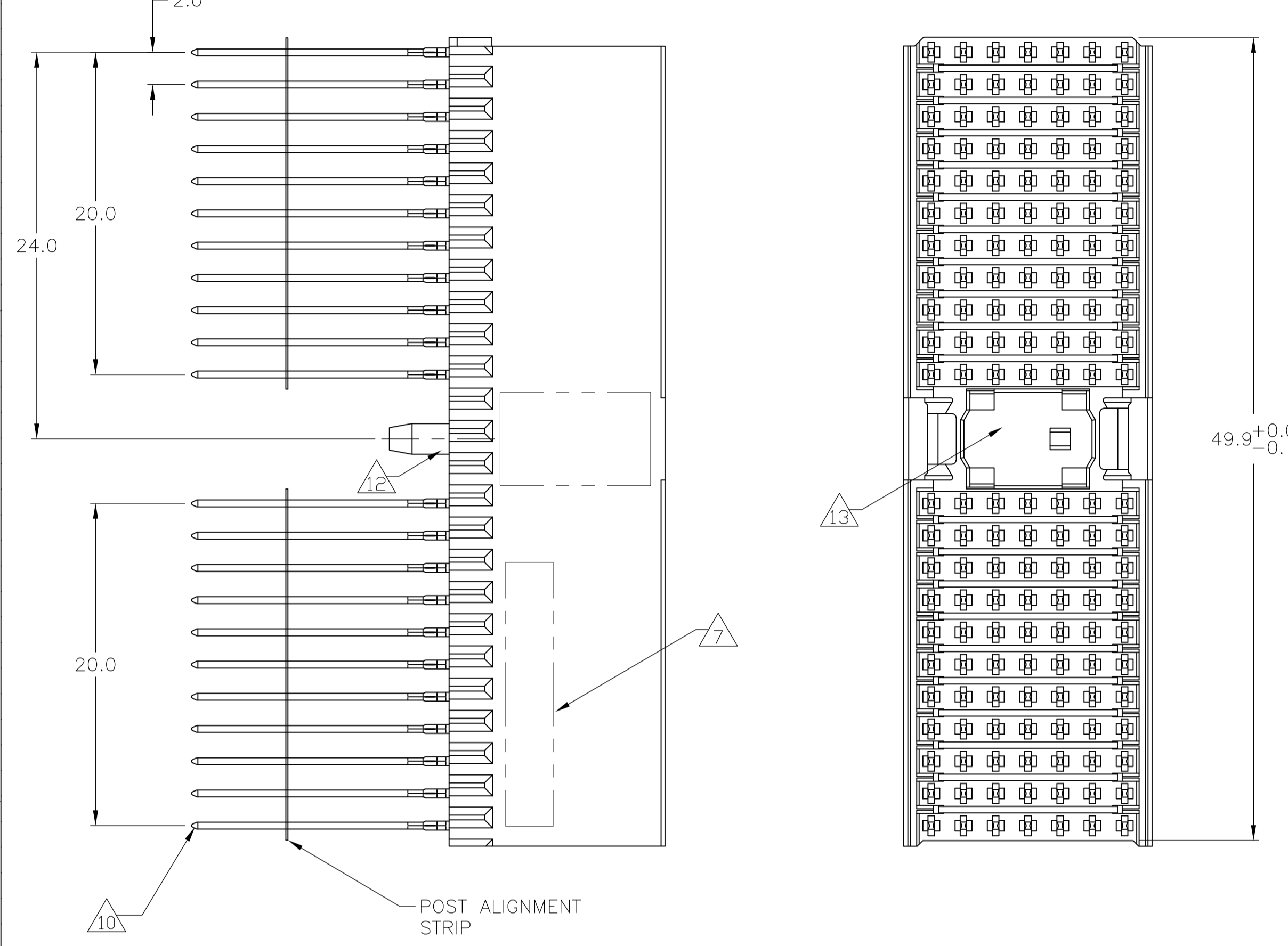
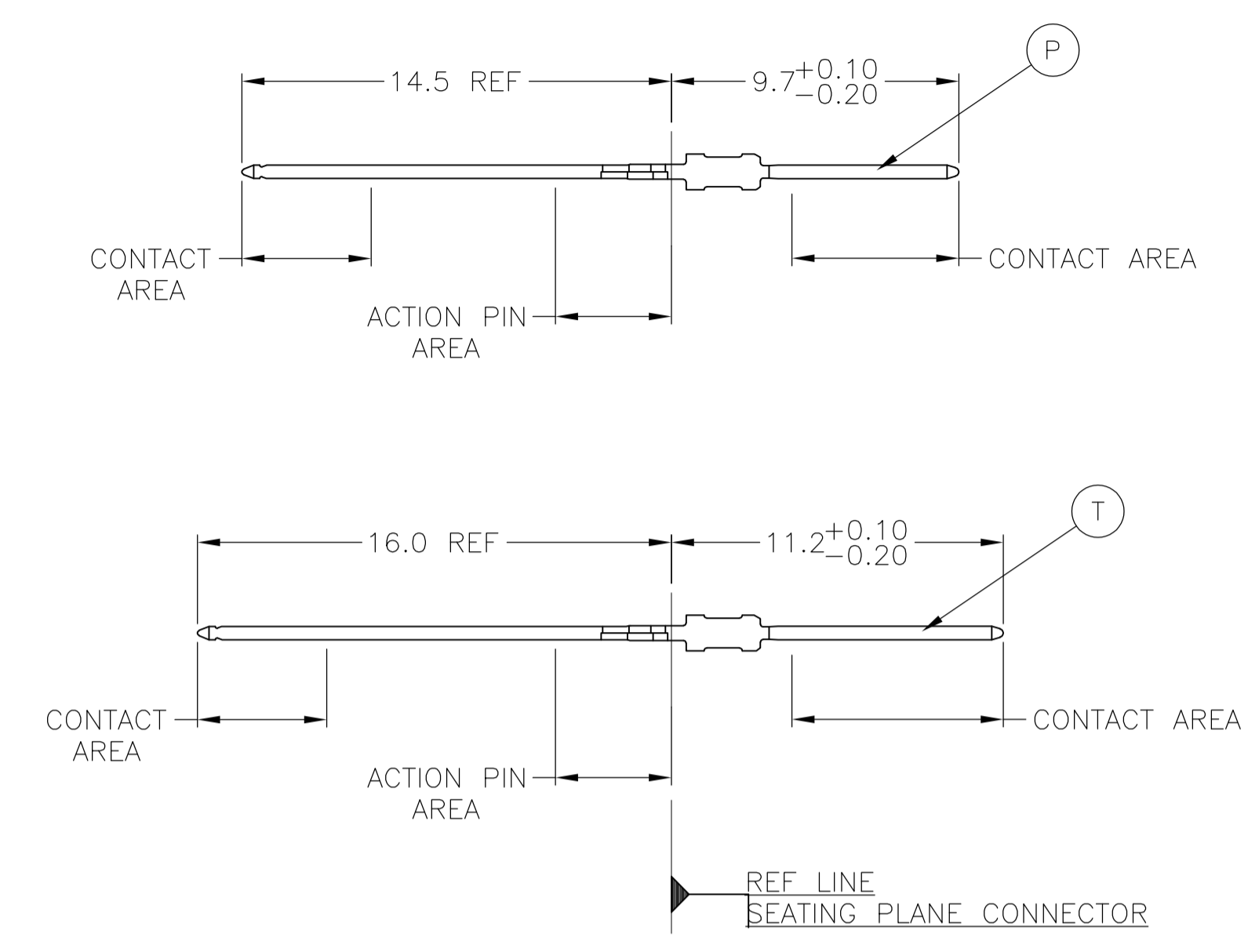


| LOC |     | DIST                      |         | REVISIONS |      |  |  |
|-----|-----|---------------------------|---------|-----------|------|--|--|
| P   | LTR | DESCRIPTION               | DATE    | DMN       | APVD |  |  |
| A   |     | REV PER EC 0512-0306-05   | 24MAY06 | BC        | GS   |  |  |
| A1  |     | REVISED PER ECO-10-000444 | 16JAN10 | KK        | AEQ  |  |  |
| B   |     | ECR-10-019054             | 15SEP10 | DP        | MQW  |  |  |

### CONNECTOR ASSEMBLY EXAMPLARY LOADED

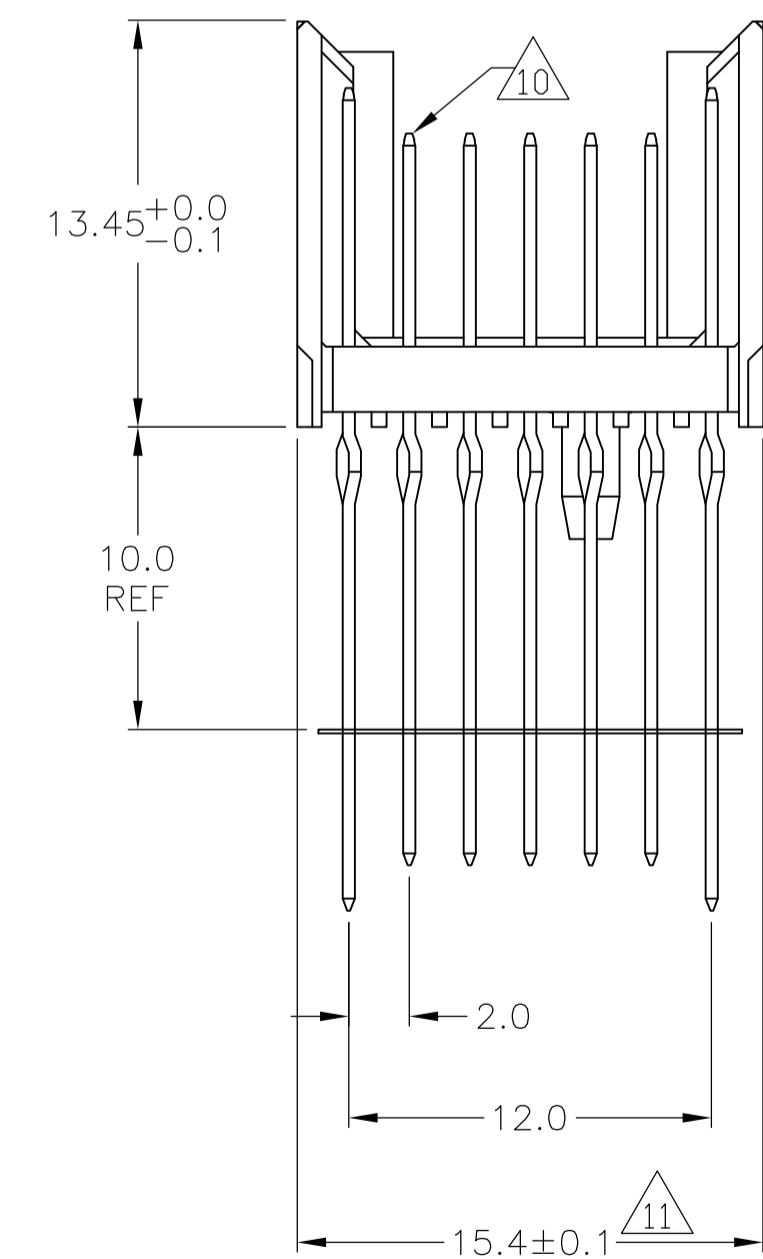


### CONTACT DIMENSIONS SCALE 5:1



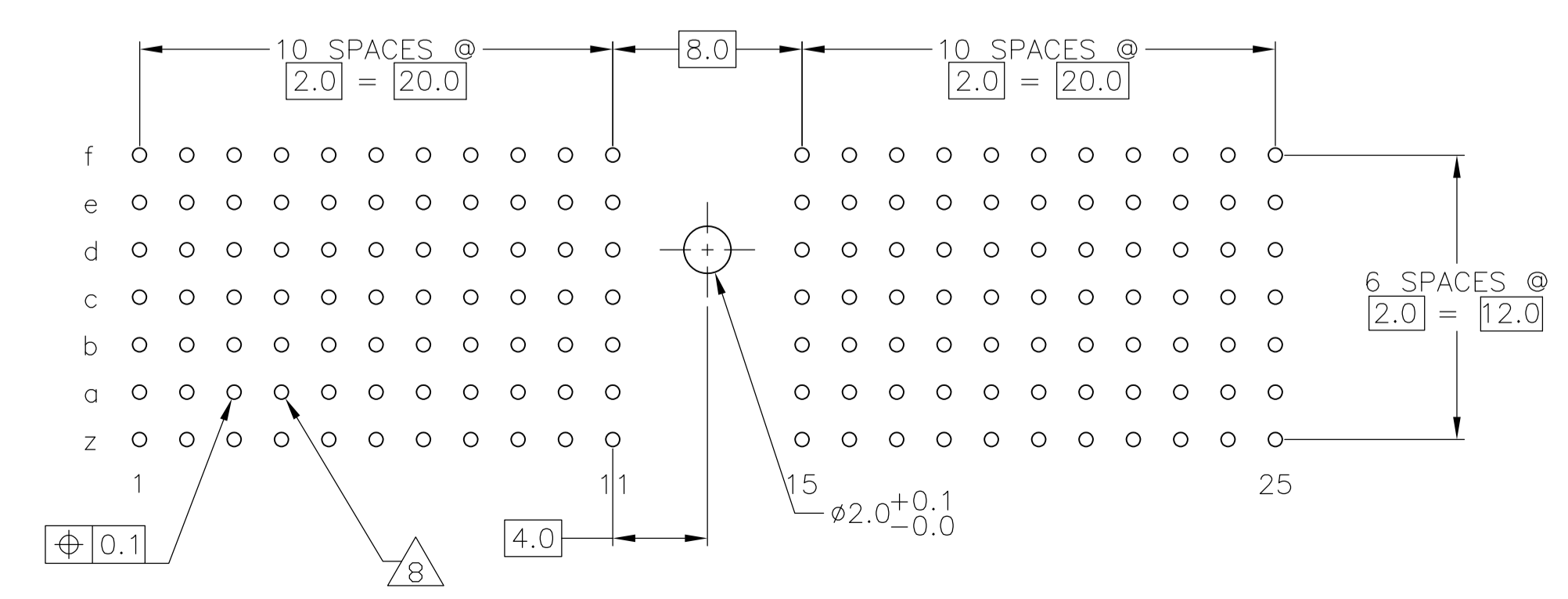
### CONTACT LAYOUT

|                      | z | a | b | c | d | e | f |
|----------------------|---|---|---|---|---|---|---|
| 1                    | T | P | P | P | P | P | T |
| 2                    | T | P | P | P | P | P | T |
| 3                    | T | P | P | P | P | P | T |
| 4                    | T | P | P | P | P | P | T |
| 5                    | T | P | P | P | P | P | T |
| 6                    | T | P | P | P | P | P | T |
| 7                    | T | P | P | P | P | P | T |
| 8                    | T | P | P | P | P | P | T |
| 9                    | T | P | P | P | P | P | T |
| 10                   | T | P | P | P | P | P | T |
| 11                   | T | P | P | P | P | P | T |
| MULTI PURPOSE CENTER |   |   |   |   |   |   |   |
| 15                   | T | P | P | P | P | P | T |
| 16                   | T | P | P | P | P | P | T |
| 17                   | T | P | P | P | P | P | T |
| 18                   | T | P | P | P | P | P | T |
| 19                   | T | P | P | P | P | P | T |
| 20                   | T | P | P | P | P | P | T |
| 21                   | T | P | P | P | P | P | T |
| 22                   | T | P | P | P | P | P | T |
| 23                   | T | P | P | P | P | P | T |
| 24                   | T | P | P | P | P | P | T |
| 25                   | T | P | P | P | P | P | T |



### RECOMMENDED PCB-HOLE LAYOUT COMPONENT SIDE SHOWN

### PLATED THRU HOLES PARAMETERS REFERENCE APPLICATION SPECIFICATION



|          |        |             |
|----------|--------|-------------|
| OBSOLETE | 2 6 14 | 1-5188578-9 |
|          | 2 5 14 | -5188578-9- |
|          | 2 4    | 5188578-4   |
|          | 2 3    | 5188578-1   |
| FINISH   |        | PART NUMBER |

THIS DRAWING IS A CONTROLLED DOCUMENT.

|                  |  |                            |  |
|------------------|--|----------------------------|--|
| DIMENSIONS: mm   | TOLERANCES UNLESS OTHERWISE SPECIFIED: | DIN B CARBO 04MAY05        | Tyco Electronics Corporation Harrisburg, Pa 17105-3608 |
| 0-PLC ±          | 1-PLC ±0.1                             | DMN G.SKIPPER 04MAY05      | NAME MALE ASSEMBLY, Z-PACK 2mm HM, TYPE A              |
| 2-PLC ±          | 3-PLC ±                                | APVD G.SKIPPER 04MAY05     | PRODUCT SPEC 108-19082                                 |
| 4-PLC ±          | ANGLES ±                               | APPLICATION SPEC 114-19029 | SIZE 108-19082   |
| MATERIAL 1       | FINISH SEE TABLE                       | WEIGHT                     | RESTRICTED TO A1 00779 C=5188578                       |
| CUSTOMER DRAWING |  | SCALE 4:1                  | SHEET 1 OF 2 REV B                                     |

| LOC |     | DIST        |      | REVISIONS |      |  |  |
|-----|-----|-------------|------|-----------|------|--|--|
| P   | LTR | DESCRIPTION | DATE | DN        | APVD |  |  |
| AD  | 00  | SEE SHEET 1 | -    | -         | -    |  |  |

- 1 MATERIAL:  
CONTACT: PHOSPHOR BRONZE.  
HOUSING: GLASS-FILLED POLYESTER.
- 2 GENERAL PLATING SPECIFICATION: UNDERPLATING  
(ENTIRE CONTACT): 1.27µm MIN NICKEL AND ACTION  
PIN: 0.5µm MIN TIN.  
FOR PLATING OF MATING SURFACES SEE APPLICABLE  
SPECIFICATION REFERENCE FOR EACH DASH NUMBER.
- 3 CONFORMS TO ALL TESTING ACCORDING TO IEC 61076-4-101  
PERFORMANCE LEVEL 2.
- 4 CONFORMS TO ALL TESTING ACCORDING TO IEC 61076-4-101  
PERFORMANCE LEVEL 1.
- 5 CONNECTOR TESTED AND QUALIFIED AGAINST TELCORDIA GR-1217-CORE QUALITY LEVEL 3,  
CENTRAL OFFICE APPLICATIONS.
- 6 CONNECTOR TESTED AND QUALIFIED AGAINST TELCORDIA GR-1217-CORE QUALITY LEVEL 3,  
UNCONTROLLED ENVIROMENT APPLICATIONS.
- 7 CONNECTOR MARKED WITH PART NUMBER AND DATE CODE.  
ADDITIONAL CHARACTERS OR MARKINGS, AS WELL AS THE LOCATION OF THE MARKINGS,  
MAY BE ADDED FOR TRACEABILITY BASED UPON MANUFACTURERS DISCRETION.
- 8 PLATED-THROUGH HOLES AT 2x2mm SQUARE GRID  
PATTERN DEFINED BY CONTACT LAYOUT.
- 9 FOR ACTUAL PIN LOADING SEE "CONTACT LAYOUT".
- 10 FOR ACTUAL PIN DIMENSIONS SEE "CONTACT DIMENSIONS".
- 11 TO BE MEASURED AT BOTTOM OF SHROUD.
- 12 POLARIZATION FEATURE.
- 13 AREA RESERVED FOR KEYING PART (BASIC P/N 100525)
- 14 CONNECTOR LUBRICATED WITH BELCORE APPROVED LUBRICANT,  
TECHNICAL REFERENCE: TR-NWT-001217 ISSUE 1, SEP 1992.
- 15 OBSOLETE PARTS: OBSOLETE CIS STREAMLINING PER D.RENAUD/D.SINISI

|  |  |  |  |   |  |
|--|--|--|--|---|--|
| THIS DRAWING IS A CONTROLLED DOCUMENT. |  | DIN B CARBO 04MAY05  |  | Tyco Electronics Corporation<br>Harrisburg, Pa 17105-3608 |  |
| DIMENSIONS:<br>mm                      |  | TOLERANCES UNLESS OTHERWISE SPECIFIED:<br>0-PLC ±<br>1-PLC ±0.1<br>2-PLC ±<br>3-PLC ±<br>4-PLC ±<br>ANGLES |  | Tyco Electronics  |  |
|  |  | APVD G SKIPPER 04MAY05   |  | NAME MALE ASSEMBLY, Z-PACK 2mm HM, TYPE A                 |  |
| MATERIAL SEE SHEET 1                   |  | FINISH SEE SHEET 1   |  | PRODUCT SPEC 108-19082                                    |  |
|  |  | APPLICATION SPEC 114-19029   |  | RESTRICTED TO   |  |
|  |  | WEIGHT   |  | SIZE CAGE CODE DRAWING NO. A1 00779 C=5188578             |  |
|  |  | CUSTOMER DRAWING   |  | SCALE 4:1 SHEET 2 OF 2 REV B                              |  |